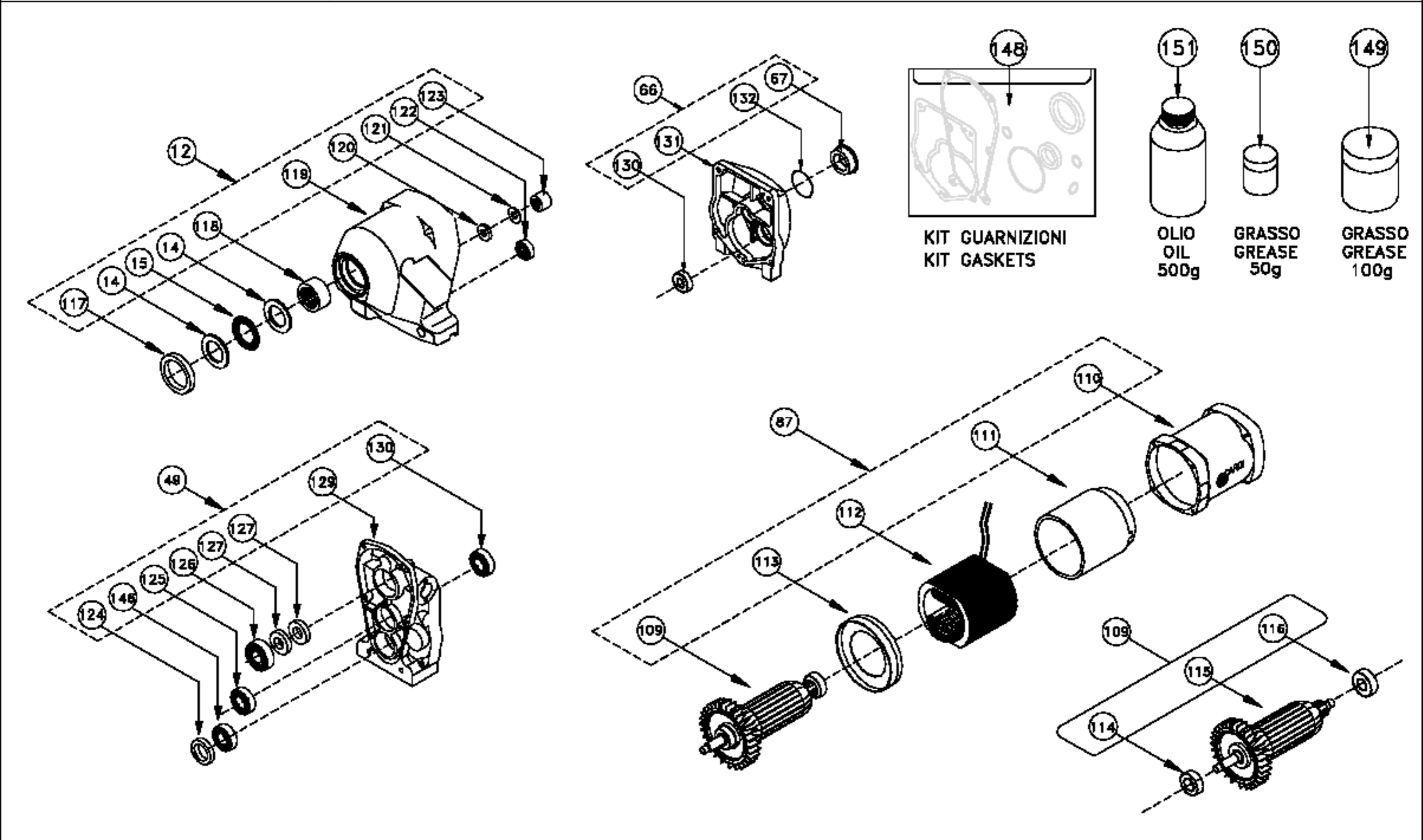
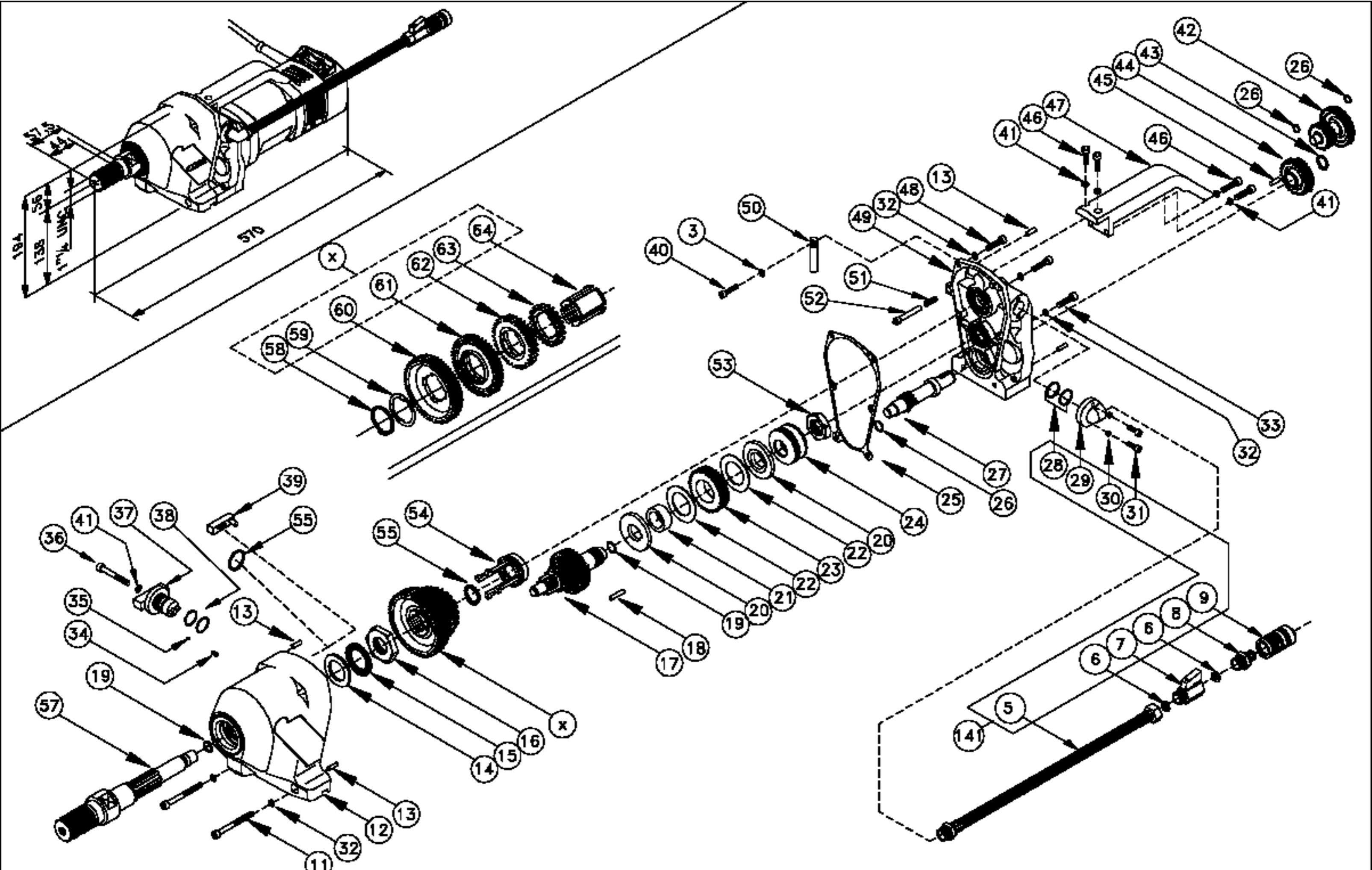




**CORDIAM srl**  
 Via Madonna, 19  
 22070 Guanzate (CO) - Italia-  
 Tel +39 031 97 72 74 - Fax +39 031 97 66 15  
 e-mail: info@cordiam.it - www.cordiam.it

# TALPA T9-500 EL





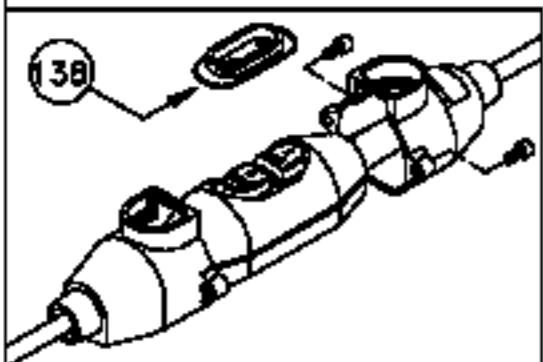
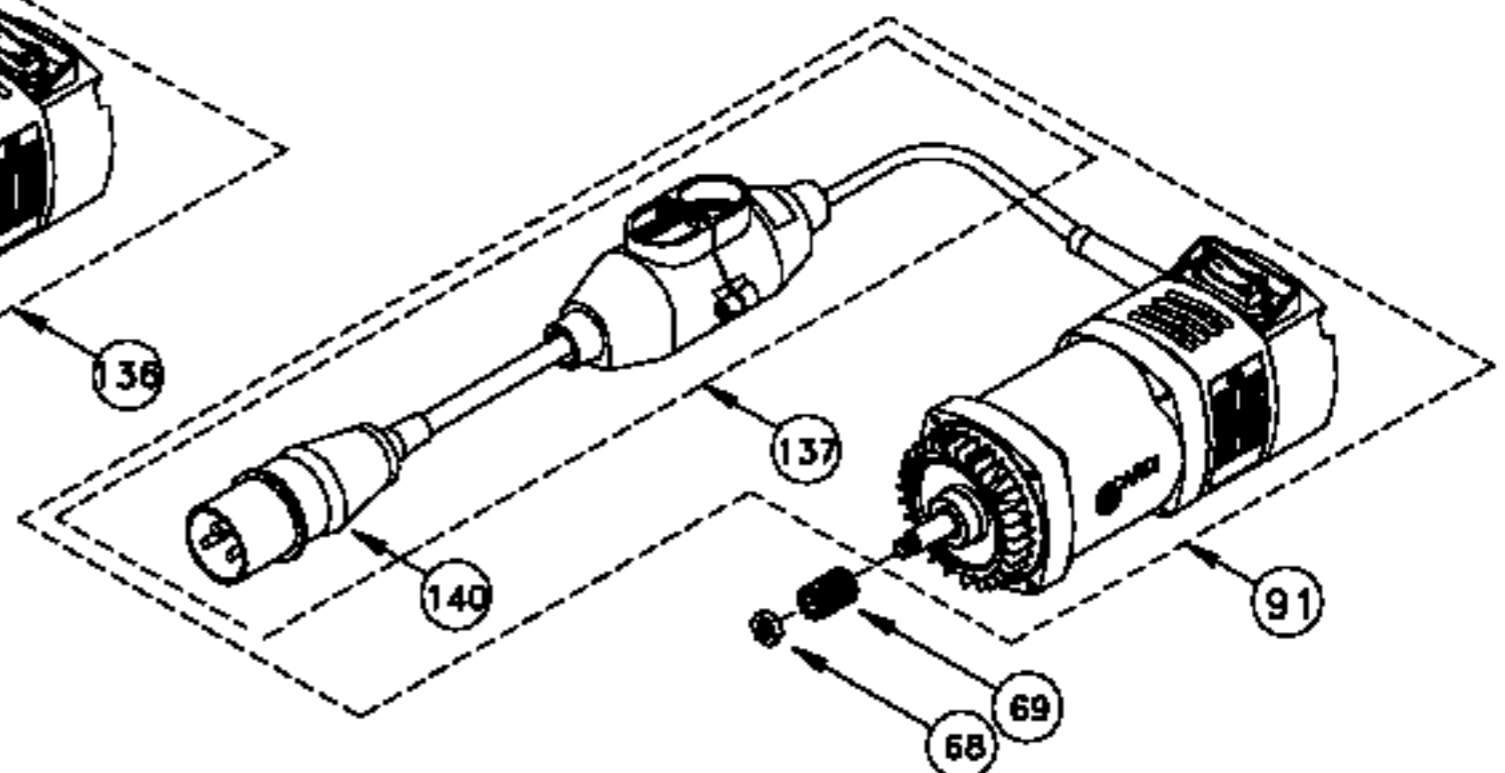
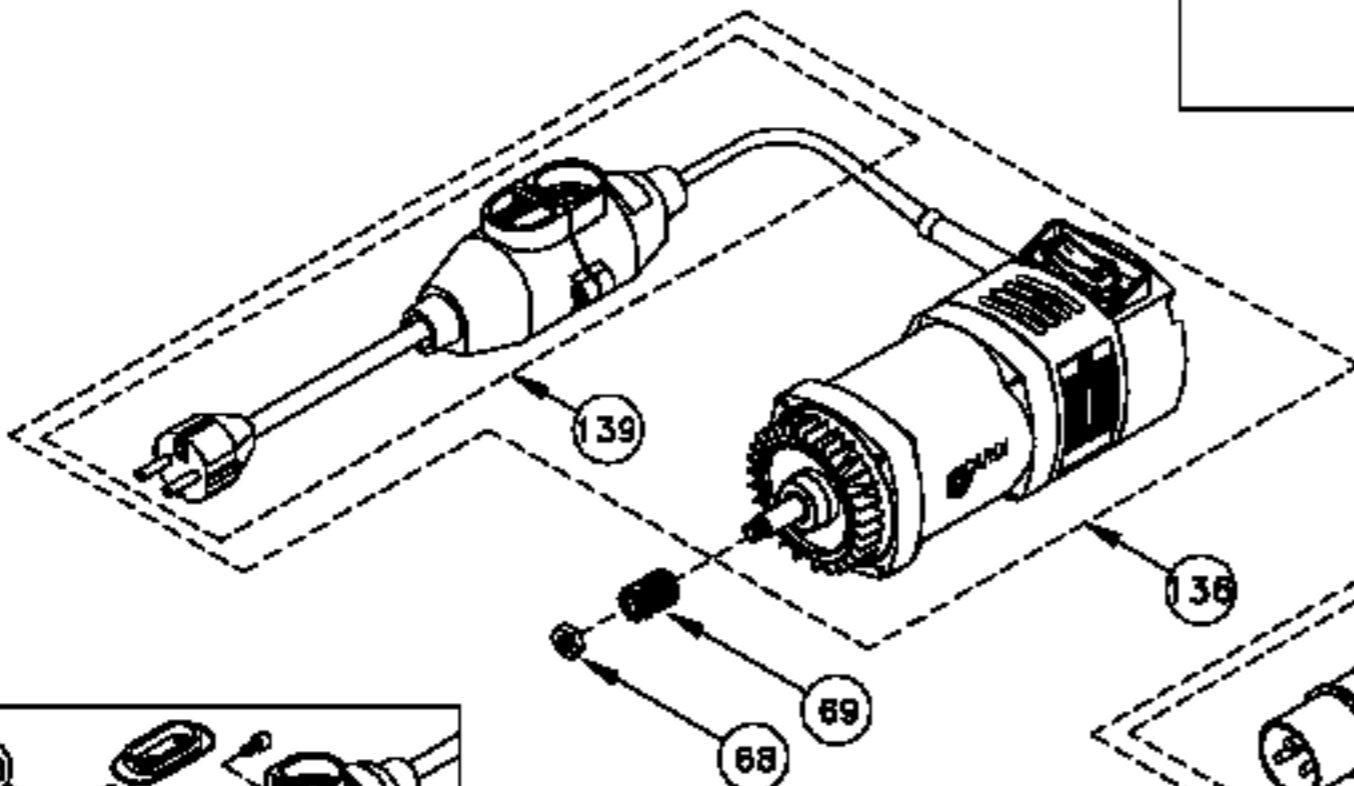
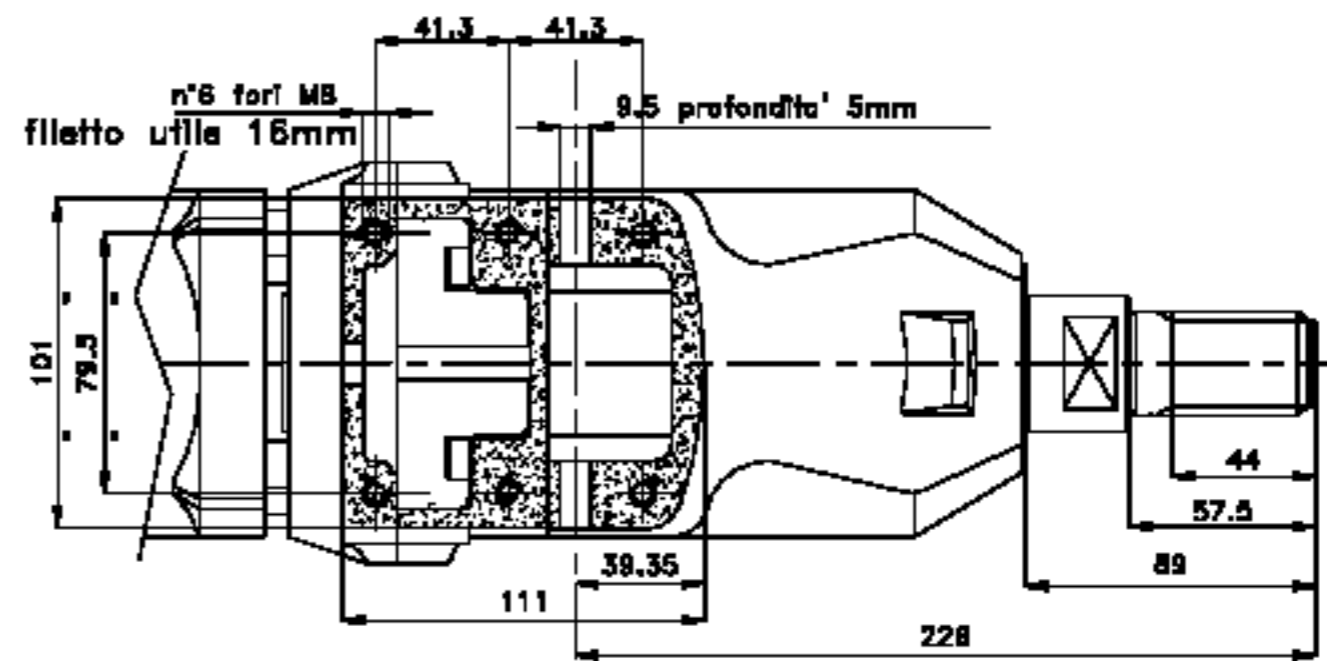
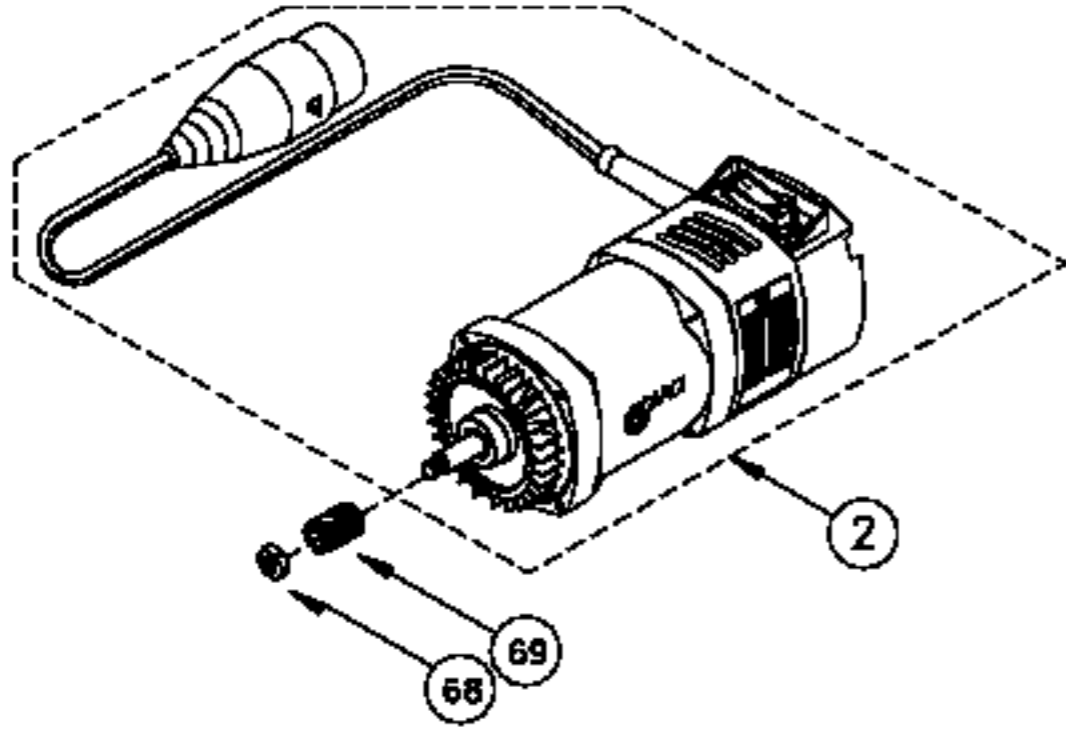
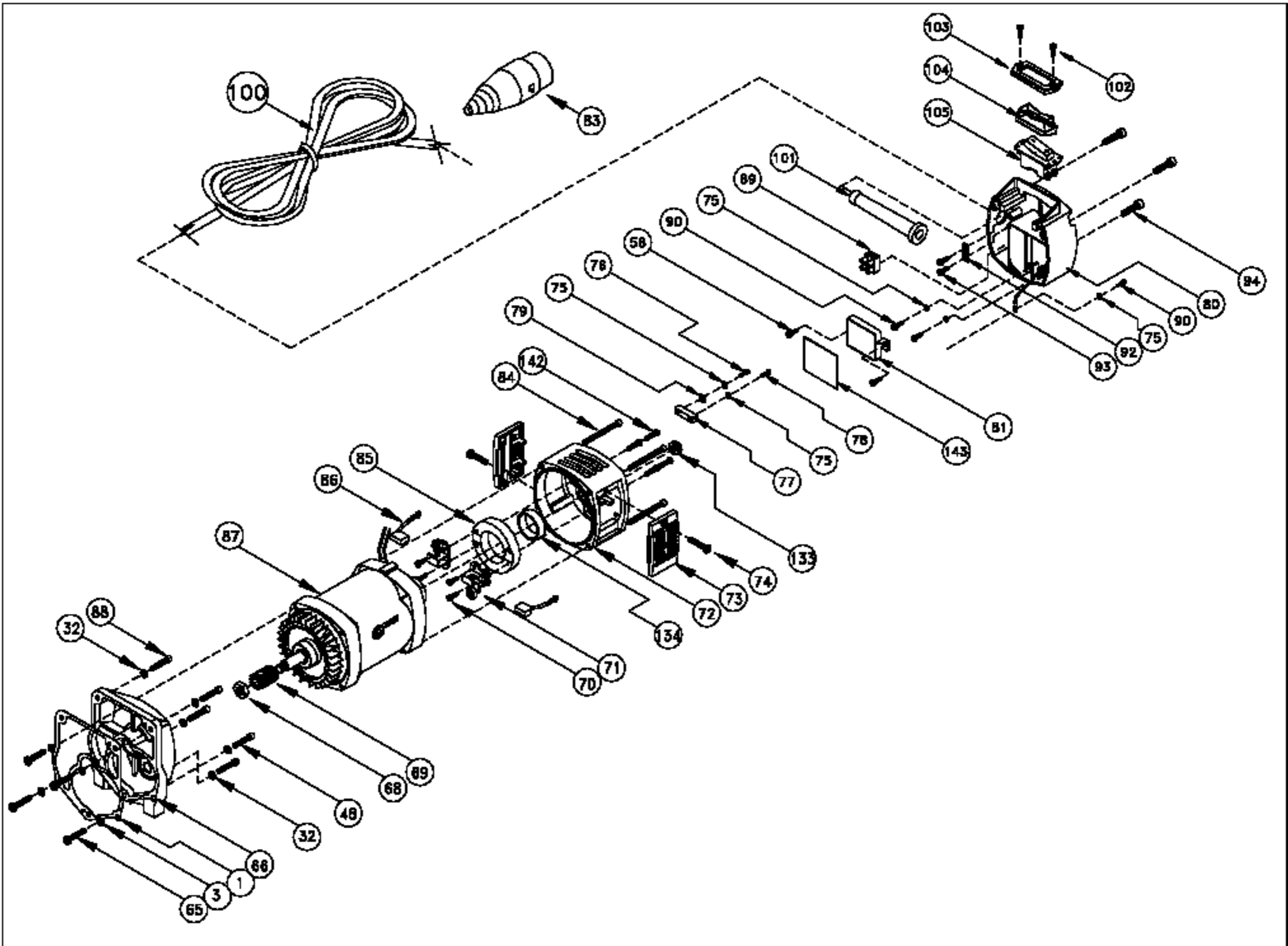
# CORDIAM srl

Via Madonna, 19

22070 Guanzate (CO) - Italia-

Tel +39 031 97 72 74 - Fax +39 031 97 66 15

e-mail: info@cordiam.it - www.cordiam.it



# TALPA T9-500 EL

ITEM	CODICE	Q.TY		ITEM	CODICE	Q.TY		ITEM	CODICE	Q.TY	
		T9-500 230V	T9-500 120V			T9-500 230V	T9-500 120V			T9-500 230V	T9-500 120V
1	501421	1	1	53	501883	1	1	101	502917	-	1
2	503344	1	-	54	501277	1	1	102	503334	2	2
	503345	-	1	55	501451	2	2	103	501152	1	1
3	502088	5	5	56	503250	3	3	104	500070	1	1
4	-	-	-	57	501289	1	1	105	500162	1	1
5	500508	1	1	58	501450	1	1	106	-	-	-
6	500509	2	2	59	501308	1	1	107	-	-	-
7	500510	1	1	60	502679	1	1	108	-	-	-
8	500511	1	1	61	502680	1	1	109	502629	1	-
	500101	1	1	62	502681	1	1		502630	-	1
9	502979	USA VERSION		63	502682	1	1	110	502616	1	1
10	-	-	-	64	501897	1	1	111	501754	1	1
11	500309	2	2	65	500081	4	4	112	501826	1	-
12	502610	1	1	66	502613	1	1		501922	-	1
13	500046	4	4	67	501821	1	1	113	502554	1	1
14	500134	3	3	68	502073	1	1	114	502759	1	1
15	500133	2	2	69	502625	1	1	115	502627	1	-
16	501898	1	1	70	501833	4	4		502628	-	1
17	502675	1	1	71	500940	2	2	116	501750	1	1
18	501510	1	1	72	503327	1	1	117	500031	1	1
19	500034	2	2	73	501427	2	2	118	500135	1	1
20	500569	2	2	74	501090	2	2	119	502608	1	1
21	500568	1	1	75	500292	5	5	120	500024	1	1
22	500567	2	2	76	501332	1	1	121	500025	1	1
23	502577	1	1	77	501859	1	1	122	500323	1	1
24	500137	3	3	78	501860	1	1	123	500136	1	1
25	501420	1	1	79	501720	1	1	124	500096	1	1
26	500335	3	3	80	503324	1	-	125	502407	1	1
27	502576	1	1		-	-	1	126	500021	1	1
28	500098	2	2	81	503343	1	-	127	500032	2	2
29	501626	1	1	82	-	-	-	128	-	-	-
30	500048	2	2	83	500072	1	-	129	502609	1	1
31	500045	2	2		502354	-	1	130	501896	2	2
32	500047	11	11	84	501835	4	4	131	502612	1	1
33	500893	2	2	85	501331	1	1	132	500245	1	1
34	500120	1	1	86	500938	2	-	133	501863	1	1
35	500119	1	1		502761	-	2	134	501869	1	1
36	502760	1	1	87	502631	1	-	135	500775	1	1
37	502687	1	1		502632	-	1	136	503346	1	-
38	501875	2	2	88	500044	2	2	137	502236	1	-
39	502690	1	1	89	502539	1	1	138	501906	1	-
40	502464	1	1	90	502280	3	3	139	502237	1	-
41	502087	5	5	91	503347	1	-	140	500572	1	-
42	502673	1	1	92	501156	1	1	141	502403	1	1
43	500898	1	1	93	501155	2	2	142	502018	4	4
44	501433	1	1	94	503349	3	3	143	503348	1	1
45	500232	1	1	95	-	-	-	144	-	-	-
46	501645	4	4	96	-	-	-	145	-	-	-
47	502683	1	1	97	-	-	-	146	501895	1	1
48	501179	5	5	98	-	-	-	147	-	-	-
49	502611	1	1	99	-	-	-	148	502706	1	1
50	501988	1	1	100	500073	1	-	149	502832	-	-
51	502695	1	1		501255	-	1	150	503271	-	-
52	502694	1	1	101	501157	1	-	151	503293	-	-



**CORDIAM srl**

Via Madonna, 19  
22070 Guanzate (CO) - Italia-  
Tel +39 031 97 72 74 - Fax +39 031 97 66 15  
e-mail: info@cordiam.it - www.cordiam.it